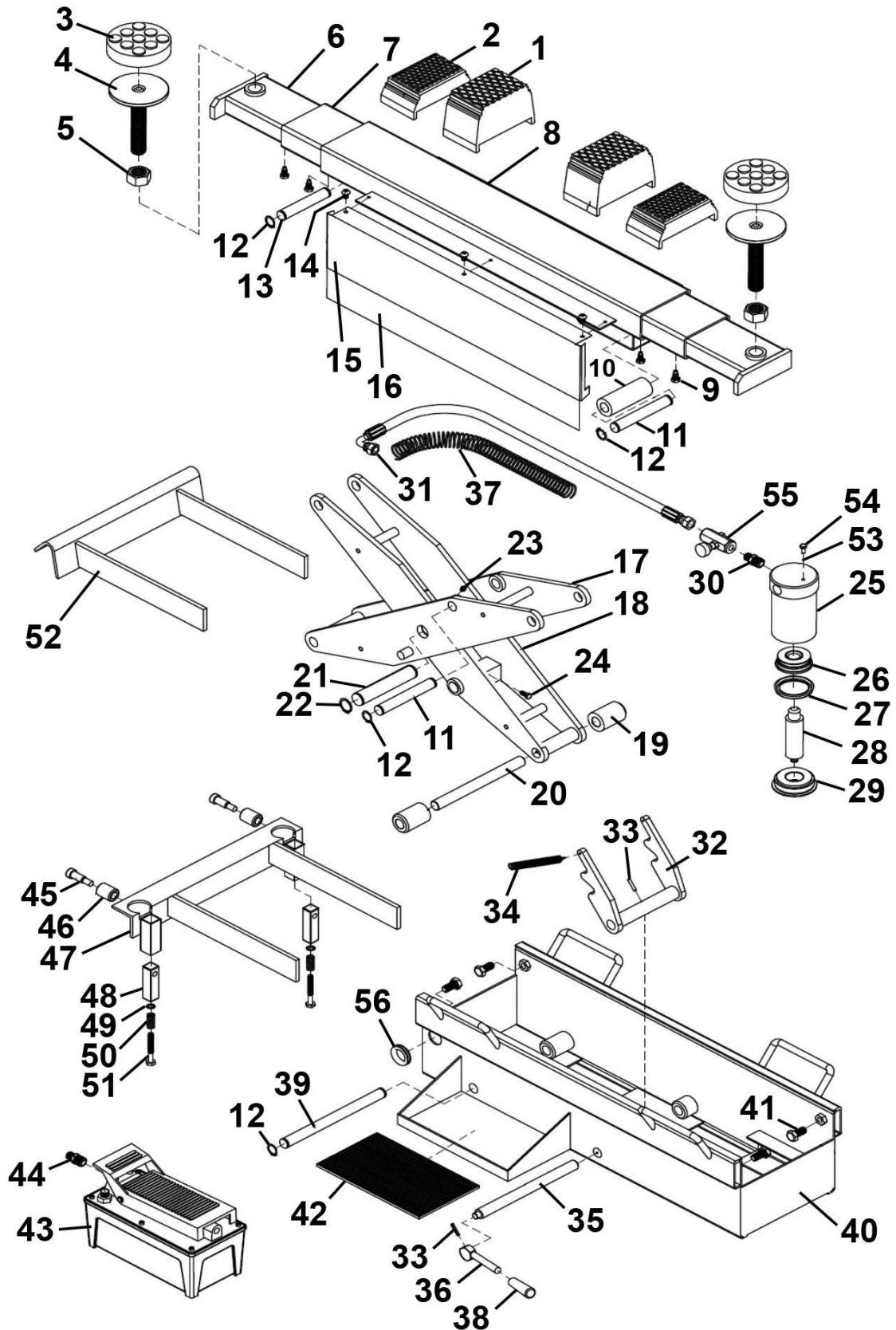


Parts Information:
**Air Jacking Beam 2tonne with Arm
 Extenders & Flat Roller Supports**
Model No: SJBEX200A



NOTE: It is our policy to continually improve products and as such we reserve the right to alter data, specifications and component parts without prior notice. There may be alternative versions of this product, please contact us should you require this information.

IMPORTANT: No liability is accepted for incorrect use of product. Spare parts must be fitted by a competent person

WARRANTY: Guarantee is 12 months from purchase date, proof of which will be required for any claim.



Parts Information:
**Air Jacking Beam 2tonne with Arm
 Extenders & Flat Roller Supports**
Model No: SJBEX200A

Item	Part No.	Description
1	SJBEX200.2-01	Aluminium Saddle 1 (Single) (Large)
2	SJBEX200.2-02	Aluminium Saddle 2 (Single) (Small)
3	SJBEX200.2-03	Rubber Saddle Cover
4	SJBEX200.2-04	Threaded Saddle
5	SN24.SB	Steel Nut M24 Black
6	SJBEX200.2-06	Adjustable Beam (Right Side)
--	SJBEX200.2-6L	Adjustable Beam (Left Side)
7	SJBEX200.2-07	Adjustable Beam Insert
8	SJBEX200.2-08	Lifting Beam
9	SJBEX200.2-09	Screw
10	SJBEX200.2-10	Shaft Bushing (Length 98mm,O/D 36.5mm)
11	SJBEX200.2-11	Shaft (Length 130mm,O/D 19mm)
12	3015CXD.01	External Circlip 16.3mm Id.
13	SJBEX200.2-15	Shaft (Length 110mm,O/D 19mm)
14	MSP68.S	Machine Screw Pan Head Phillips M6 x 8mm
15+16	SJBEX200.2-14	Protective Plate
17	SJBEX200.2-16	Outer Scissors Arm
18	SJBEX200.2-17	Inner Scissors Arm
19	SJBEX200.2-18	Shaft Bushing (Length 55mm,O/D 38.5mm,I/D 20mm)
20	SJBEX200.2-20	Shaft (Length 210mm,O/D 19mm)
21	SJBEX200.2-23	Shaft (Length 132mm,O/D 25mm)
22	3015CXD.11	External Circlip 23.00mm Id
23	SJBEX200.2-24	Oil Inlet
24	SJBEX200A.24	Lock Bolt
25	SJBEX200A.25	Cylinder
26	SJBEX200.2-33	Seal 53*63*6
27	SJBEX200.2-32	Retaining Ring
28	SJBEX200.2-29	Piston

Item	Part No.	Description
29	SJBEX200.2-95	Cylinder Cap
30	SJBEX200A.30	Connection Nut
31	SJBEX200A.31	Oil Pipe
32	SJBEX200.2-50	Safety Lock
33	SJBEX200.2-47	Spring Pin M4.4 x 25
34	SJBEX200.2-88	Spring Dia 12.8mm
35	SJBEX200.2-49	Shaft
36	SJBEX200.2-48	Knob, Handle, Hexagonal, M12 Threaded Female Fitting
37	SJBEX200A.37	Protection Spring Sleeve
38	SJBEX200.2-59	Handle Grip
39	SJBEX200A.39	Shaft
40	SJBEX200A.40	Chassis
41	SS1225.S	Hex Head Set Screw M12 X 25 Zinc
42	SJBEX200A.42	Rubber Pad
43	SJBEX200A.43	Pneumatic Pump
44	SJBEX200A.44	Connection Nut
45	SJBEX200.2-53	Screw
46	SJBEX200.2-54	Bushing
47	SJBEX200.2-52	Flat-End Mounting
48	SJBEX200.2-55	Block
49	SWM8.SB	Spring Washer M8 Black
50	SJBEX200.2-57	Spring Dia13.8mm
51	HHB865.S	Hex Head Bolt M8 X 65mm
52	SJBEX200.2-12	Hook End Mounting
53	SJBEX200A.53	Steel Ball
54	SJBEX200A.54	Bolt For Cylinder
55	SJBEX200A.55	Adjustment Valve
56	SJBEX200A.56	Protection Ring

NOTE: It is our policy to continually improve products and as such we reserve the right to alter data, specifications and component parts without prior notice. There may be alternative versions of this product, please contact us should you require this information.

IMPORTANT: No liability is accepted for incorrect use of product. Spare parts must be fitted by a competent person

WARRANTY: Guarantee is 12 months from purchase date, proof of which will be required for any claim.

Sealey Group, Kempson Way, Suffolk Business Park, Bury St Edmunds, Suffolk. IP32 7AR



01284 757500



01284 703534



sales@sealey.co.uk



www.sealey.co.uk